

# Ambience Appliances Pty Ltd

## FRAMING DIMENSIONS - IN BUILT BURLEY ELECTRIC FIRES

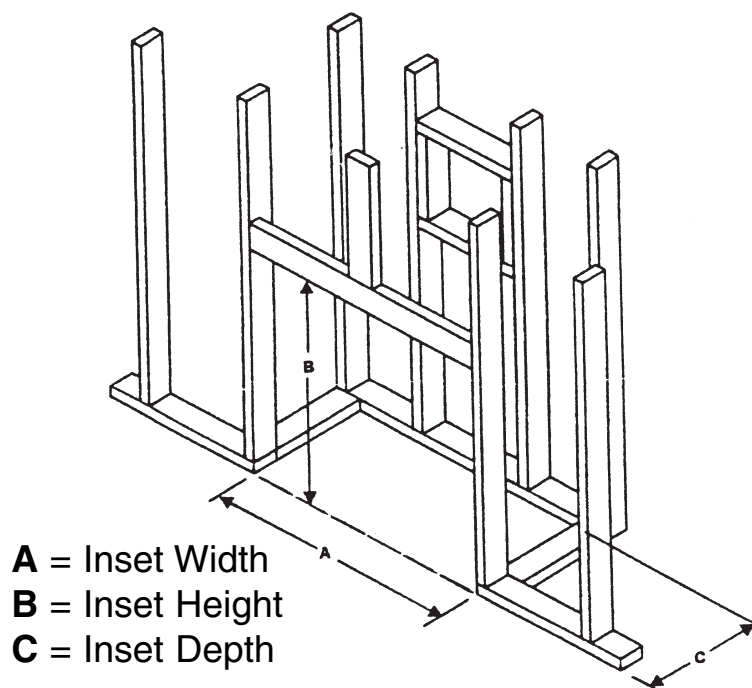
The following guidelines are prepared to assist in the construction of framework to house an **INSET** Burley electric fire.

**CAUTION:**

1. Measure heater dimensions before framing construction begins.
2. Ensure heater can be easily removed for maintenance and repairs.
3. The Burley electric range includes units which are designed to be:
  - Freestanding only
  - Freestanding or inset option
  - Inset only

**APPLICATION:**

- Inset into a false chimney
- Inset into existing wall with cavity



**NOTE:**

If a doubt exists concerning whether a unit can be inset or not then please contact our office on (08) 8357 5001 for clarification.